



Bill Of Material		
Part No.	Description	Qty
M03305	Cab Mount	8
M02546	Cab Mount	8
M03306	Cab Mount	2
S10126	Washer	2

## Installation Instructions

1. Read the complete instructions before beginning installation, a floor jack and basic hand tools are needed.
2. Disconnect the battery and remove the airbag fuse.
3. Remove the trim securing the carpet down at the doors so that you can access the body mount bolts. On the Super Cab and the Super Crew Cab models you have to remove the rear seat. Remove any cab plugs to gain access to the cab mount bolts. See figure 1.
4. Remove the bolts from the passenger side body mounts and loosen the driver side body mounts. See figure 2 and 3.
5. On the front radiator support bolts you will need to remove the upper nut on the inside of the radiator support and then you can loosen the lower bolt. A 24" extension with a universal swivel and 18mm socket works well for this. (You may have to have someone hold the body mounts with a pair of large adjustable pliers while you loosen the mount bolts.)
6. With a floor jack, carefully place the jack on the floorboard support mounts and lift high enough to remove the body mounts. Make sure cab is securely supported with jack stands before removing any mounts.
7. Remove and replace the body mounts **one at a time**. Take care not to mix up the pieces, the upper and lower mounts are clipped together on the frame and you may have to use a pair of large screwdrivers to pry off the lower mounts. Separate the lowers from the upper pieces carefully as you will be reusing most of the stock steel. See figure 4.
8. Remove the rubber from the upper mounts and replace with the new body mounts. (You may have to use some WD-40 to get the rubber to release from the steel sleeve. You can separate the pieces with a pair of adjustable pliers, one on the rubber and one on the steel sleeve) See figure 5 through 9.
9. Install the new assembly onto the frame making sure that it is seated into the frame.
10. Install the stock bolt with the S10126 washer and the M02546 lower mount on the radiator support and run the bolt in but don't tighten. Start the upper nut on the radiator support. See positions 1. On the third mount reinstall the lower stock rectangular mount and start the bolt. See positions 3.
11. Burn out the remaining two round lower mounts with a small torch to remove the rubber and clean with a wire brush. Install the M02546 lower mounts. Install and start the bolts. See positions 2,4, and 5.
12. Repeat steps 5-10 for the other side.
13. Tighten all bolts until you can feel the stock steel sleeves seat together. Tighten the radiator support upper nut.
14. Reinstall the body cab plugs. Reinstall all of the trim and the upholstery.
15. Install the airbag fuse and reconnect the battery.

Fig 1



Fig 2



Fig 3



Fig 4



Fig 5



Fig 6



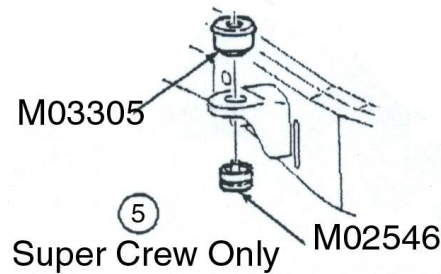
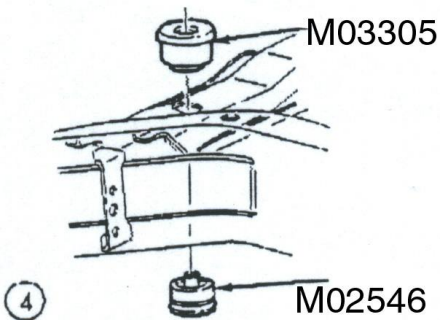
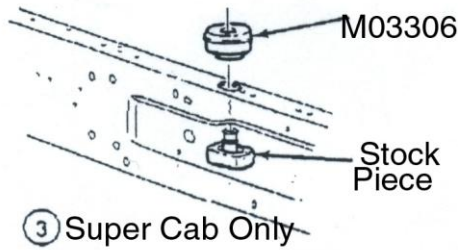
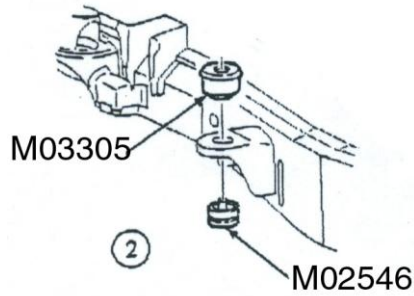
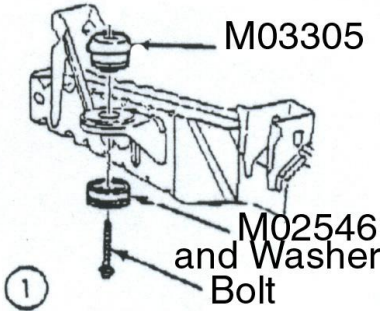
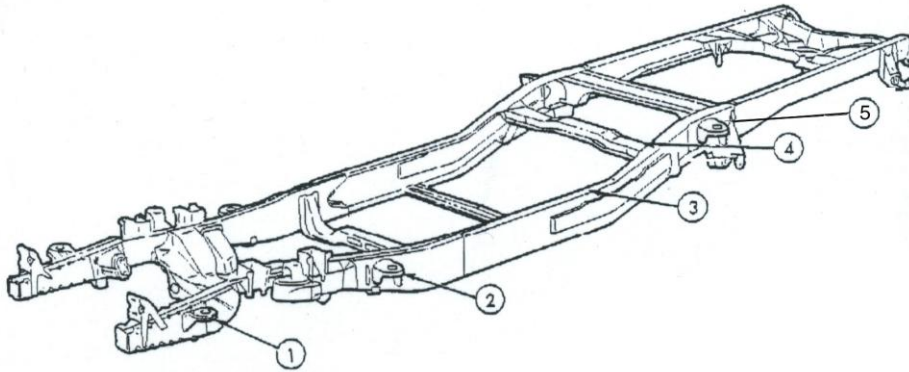


Fig 7



Fig 8



Fig 9



Pos 1



Pos 1



Pos 3



Pos 2,4,5



Pos 2,4,5

