

UTILITY RIG RACK

PACE EDWARDS RETRACTABLE HARD TRUCK BED COVER & UTILITY RACK SYSTEM

STANDARD INSTALLATION INSTRUCTIONS



IMPORTANT! The Pace Edwards truck bed cover and Explorer Series Rails **MUST** be installed on the truck first before attempting to install this rack system!



#1 RETRACTABLE TRUCK BED COVER

(800) 338-3697

www.paceedwards.com

Pace Edwards Company
2400 Commercial Blvd.
Centralia WA 98531

TABLE OF CONTENTS

Tools Required for Assembly	2
Before You Start	2
Utility Rack Illustration	2
Packaging Contents	3
STEP 1: Install Side Stops	4
STEP 2: Assemble legs & gussets	4
STEP 3: Assemble Crossmembers	4
STEP 4: Assemble Crossmembers, Legs & Braces.....	5
STEP 5: Install Truss Mounts on Explrer Series Rails..	5
STEP 6: Install Pickup Trusses on Truss mounts	5

*Flip over for Contractor Rig Rack instructions

Part #: UR-CR Rack-INSTALL 048

TOOLS REQUIRED FOR ASSEMBLY:

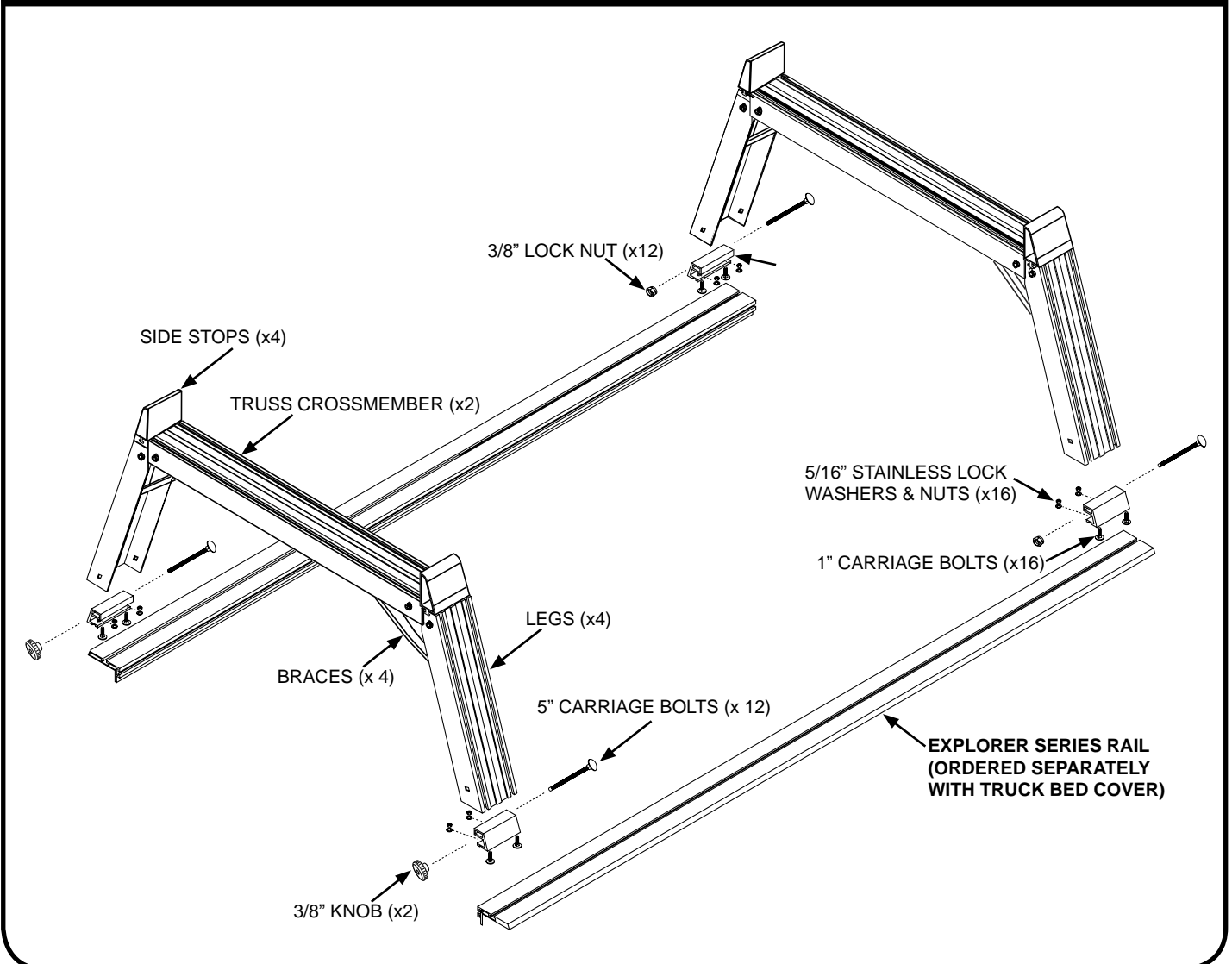
9/16" wrench or socket Flat clean surface (such as card board paper or plastic)
1/2" open ended wrench Silicone sealant (if necessary)

BEFORE YOU START:

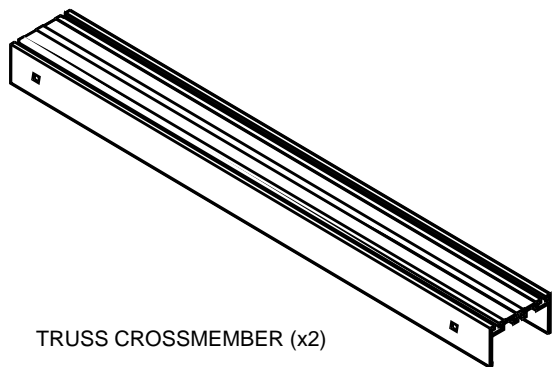
Read the instructions carefully before you start. These instructions are written for one-person installation. We have noted where briefly having an extra person's assistance can make installation easier. If you have questions regarding the installation please call our Technical Support Line at (800) 338-3697.

IMPORTANT! The Pace Edwards truck bed cover and Explorer Series Rails **MUST** be installed on the truck first before attempting to install this rack system!

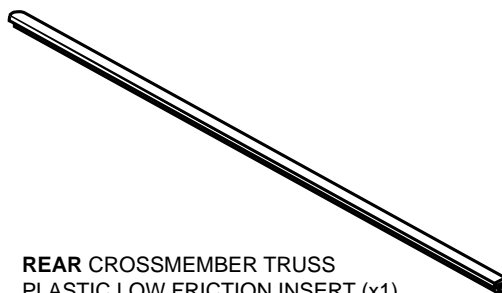
UTILITY RIG RACK ILLUSTRATION:



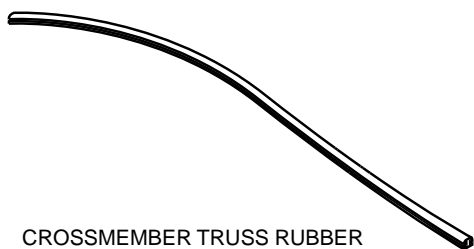
UTILITY RIG CROSSMEMBER BOX CONTENTS:



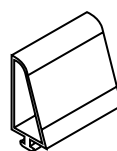
TRUSS CROSSMEMBER (x2)



REAR CROSSMEMBER TRUSS
PLASTIC LOW FRICTION INSERT (x1)



CROSSMEMBER TRUSS RUBBER
ANTI-WEAR INSERTS (x2)

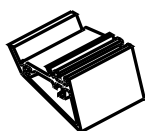


SIDE STOPS (x4)

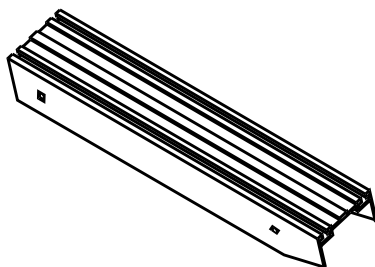


3/8" KNOB (x2)

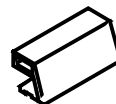
UTILITY RIG LEG BOX CONTENTS:



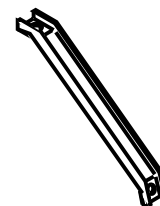
GUSSETS (x 4)



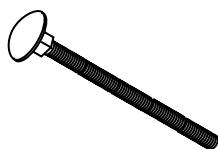
LEGS (x4)



TRUSS MOUNTS (x4)



BRACES (x 4)



5" CARRIAGE BOLTS (x 12)



3/8" LOCK NUT (x12)



1" CARRIAGE
BOLTS (x16)



5/16" STAINLESS
LOCK WASHERS
(x16)



5/16" STAINLESS
LOCK NUTS (x16)

**INSTALL
TIP!**

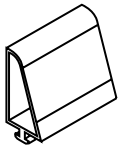
A General Note on Assembly:

These parts have been precision cut to tolerances as close as one thousandth of an inch. Some fits are designed to be press fits, others are designed to be sliding fits; but nowhere should the use of great force be required for assembly. As with any piece of machined equipment, if a part is not fitting as it should, don't use excessive force, identify the problem and correct it. An initial misalignment of two parts can cause a burr on one of them and make smooth assembly difficult.

**INSTALL
TIP!**

STEP 1: INSTALL SIDE STOPS

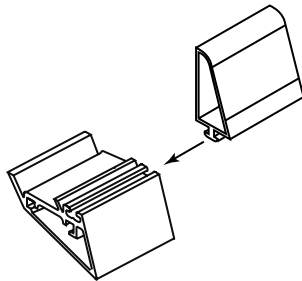
HARDWARE USED:



SIDE STOPS x 4



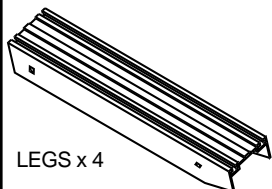
GUSSET x 4



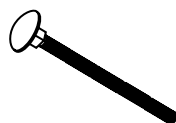
NOTE: To prevent Side Stops from the possibility of rattling, inject some silicone sealant into the T-slot of the gusset before inserting Side Stop.

STEP 2: ASSEMBLE LEGS & GUSSETS

HARDWARE USED:



LEGS x 4

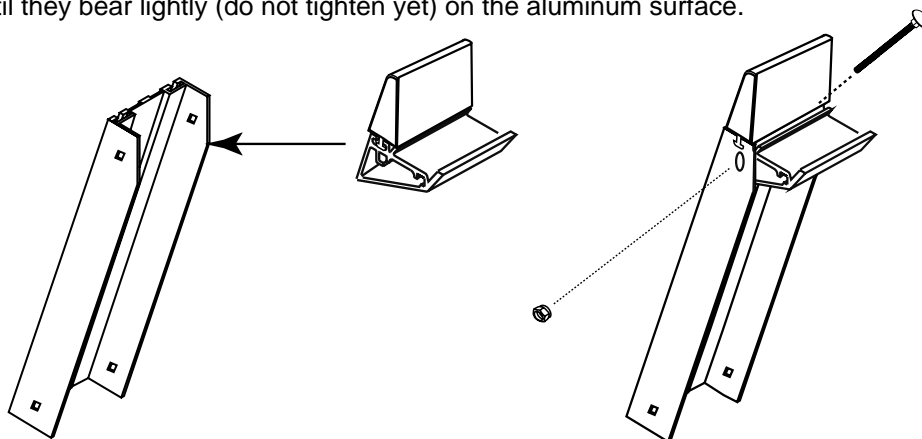


5" CARRIAGE BOLTS x 4



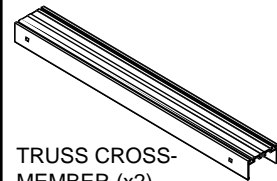
3/8" LOCK NUTS x 4

Install gussets into legs as shown until holes align, then slide the 5" carriage bolts through the holes. Install the 3/8" lock nuts on the 5" carriage bolts and tighten with a 9/16" wrench until they bear lightly (do not tighten yet) on the aluminum surface.



STEP 3: ASSEMBLE CROSSMEMBERS

HARDWARE USED:



TRUSS CROSS-MEMBER (x2)



CROSSMEMBER TRUSS RUBBER ANTI-WEAR INSERTS (x2)

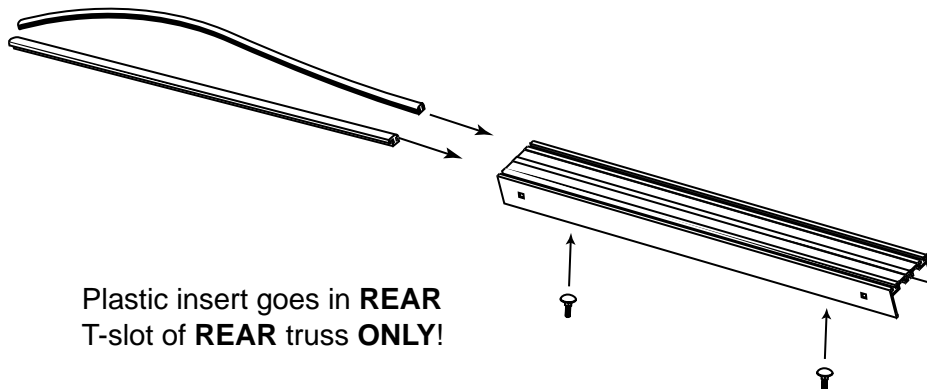


REAR CROSSMEMBER TRUSS PLASTIC LOW FRICTION INSERT (x1)



1" CARRIAGE BOLTS x 4

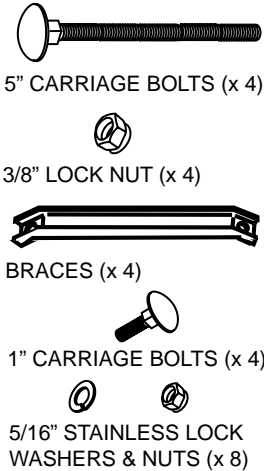
Slide a rubber anti-wear insert into the forward T-slot of each crossmember and slide a plastic low-friction insert into the **REAR** T-slot on the **REAR** crossmember. Slide 2 small carriage bolts (to be used for braces) into the T-slot on the underside of each crossmember.



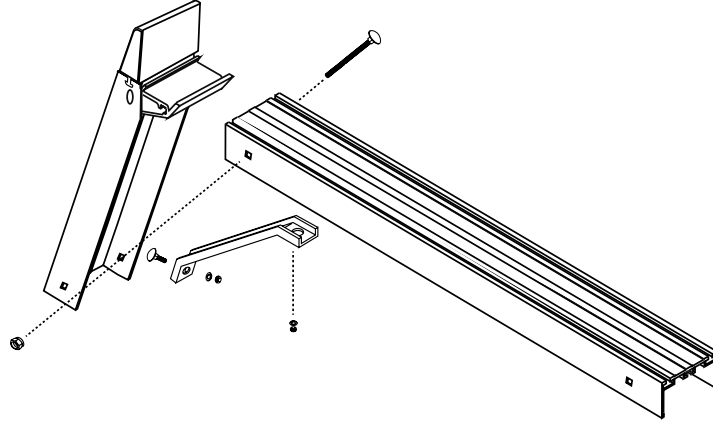
Plastic insert goes in **REAR** T-slot of **REAR** truss **ONLY!**

STEP 4: ASSEMBLE CROSSMEMBERS, LEGS & BRACES

HARDWARE USED:

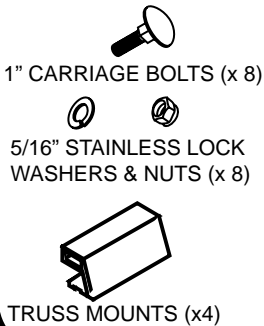


Install crossmember on gusset as shown, and fasten loosely with 5" long carriage bolts and 3/8" locknuts. Slide a small carriage bolt into the inside T-slot of the leg and install the brace between the leg and the crossmember using nuts and lock washers.

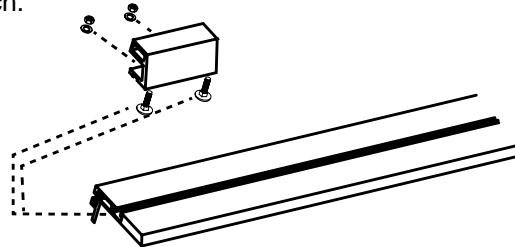


STEP 5: INSTALL TRUSS MOUNTS ON EXPLORER SERIES RAILS

HARDWARE USED:

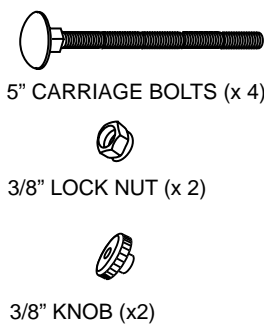


Slide two 1" carriage bolts into the upper T-slots on each end of both Rails. Place a truss mount on each of the bolt pairs (truss mount should be leaning inward as shown), positioning the mounts 1/8" in from the ends of the rails. Install lock washers and nuts and tighten with a 1/2" open end wrench.



STEP 6: INSTALL PICKUP TRUSSES ON TRUSS MOUNTS

HARDWARE USED:



Lower the truss onto the truss mounts and slide the 5" long carriage bolts through the leg and mount. Install nuts and tighten with a 9/16" wrench until they bear LIGHTLY on the aluminum surface. Make sure that the truss is centered on the rails and that the visible joint between the leg and crossmember is as tight as possible, then tighten all 5" carriage bolts firmly. Note that the truss mount has an elongated hole for side-to-side adjustment of the truss legs. Tighten the nuts and knobs that secure the braces

