



INSTRUCTIONS

SPORTZ

SUV TENT
84000

BEFORE YOU BEGIN



CAMPSITE SELECTION

- Select a smooth, level campsite clear of rocks, branches, and other hard or sharp objects
- Avoid areas with overhead power lines and tree limbs
- Park the vehicle in the chosen campsite
- Turn the engine off and engage the parking brake

HOW TO STORE

1. Clean and dry the tent
2. Fold all of the components into the tent
3. Roll the tent, using the pole bag as a guide
4. Secure with the tent tie straps and insert into the carrying bag
5. Store in a cool, dry place

CAUTION

- Do not use candles, matches, or open flames of any kind in or near the tent
- Do not cook inside the tent
- Build campfires downwind and several meters away from the tent. Be sure to fully extinguish fires before leaving a campsite or before retiring for the night
- Exercise extreme caution when using fuel-powered lanterns or heaters inside or around the tent. Use battery-operated lanterns whenever possible
- Do not refuel lamps, heaters, or stoves inside the tent
- Extinguish or turn off all lanterns before going to sleep
- Do not smoke inside the tent
- Do not store flammable liquids inside the tent
- NEVER run the vehicle engine when the tent is attached
- Do not install the tent when the temperature is below 0°C/32°F or when your vehicle is wet, it may cause damage
- Allow adequate ventilation inside the tent at all times
- Do not attempt to drive the vehicle with the tent attached
- Disconnect the battery or turn off the door lamps' so that they do not stay on when the hatch is open. This will reduce the risk of battery drainage.

WARRANTY INFORMATION

Napier tents have a one (1) year warranty period from the time of purchase against defects in improper workmanship. Normal wear and tear, seam leakage through needle holes, and improper use, abuse, or alteration are not covered under the warranty policy. Napier Outdoors will replace or repair defective parts. Replacement parts may be new or re-built at Napier's sole discretion. E-Warranty claim forms can be completed online at www.napieroutdoors.com/warranty. Proof of purchase (receipt) must be provided. If you do not provide proof of purchase, or if your warranty period has ended, replacement parts can be purchased.

To order replacement parts, contact Napier Outdoors at 800-567-2434 (9:00 am – 5:00 pm EST), visit www.napieroutdoors.com, or email customerservice@napieroutdoors.com

⚠️ WARNING

- Keep all flame and heat sources away from the tent fabric. The tent is made with flame-resistant fabric which meets CPAI-84 specifications. This does not make it fireproof. The fabric will burn if left in contact with any flame source. The application of any foreign substance to the tent fabric may render the flame-resistant properties ineffective.
- To prevent carbon monoxide from entering the vehicle and tent area, do not run the engine, do not cook inside the tent, and do not use a gas heater in the tent. Carbon monoxide is dangerous to your health.
- Engine must be off and exhaust must be fully cooled before tent installation and use.

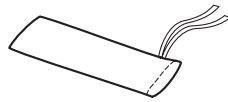
PACKAGE CONTENTS

If you are missing parts, please contact Napier Outdoors at 800-567-2434 | Monday - Friday or email customerservice@napieroutdoors.com

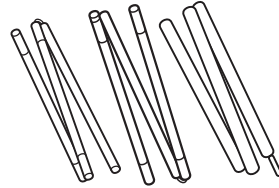
Remove contents from the bag and ensure you have all components listed below.



TENT BAG

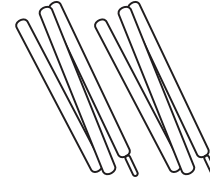


POLE BAG

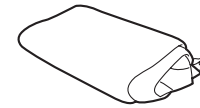


TENT POLES (11)

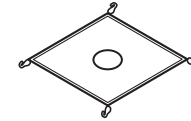
4 x Steel Tent Poles (82") - Black
4 x Short Fiberglass Poles (53") - Grey
1 x Long Fiberglass Pole (69") - Grey
2 x Steel Screen Room Poles (82") - Blue



AWNING POLES (2)
2 x Steel Awning Poles (71")



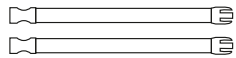
RAINFLY



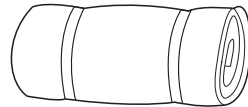
GEAR LOFT



GUY LINES (4)



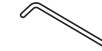
TENT TIE STRAPS (2)



TENT



STAKE BAG



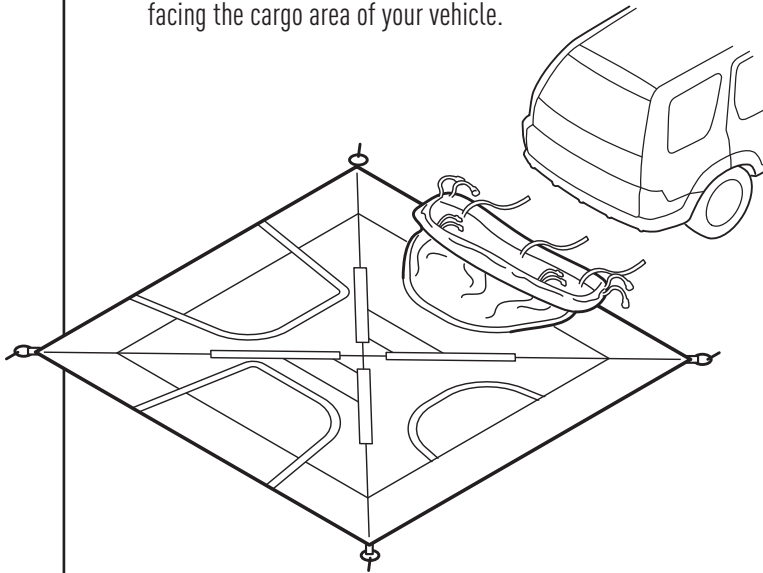
STAKES (26)



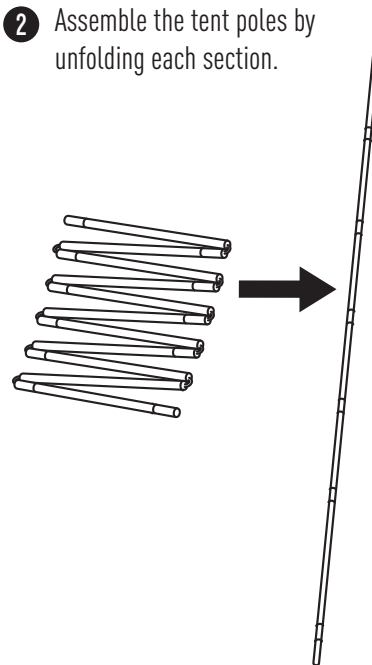
AWNING POLE CAPS (4)

TENT SET UP

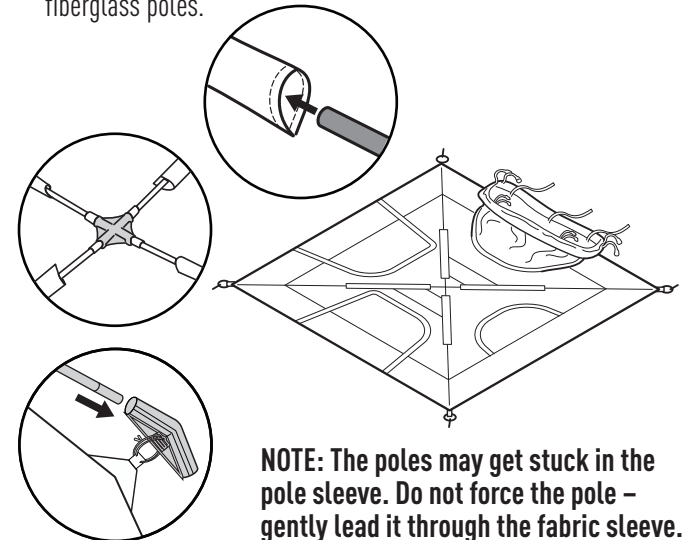
- 1 Lay out the tent with the vehicle sleeve facing the cargo area of your vehicle.



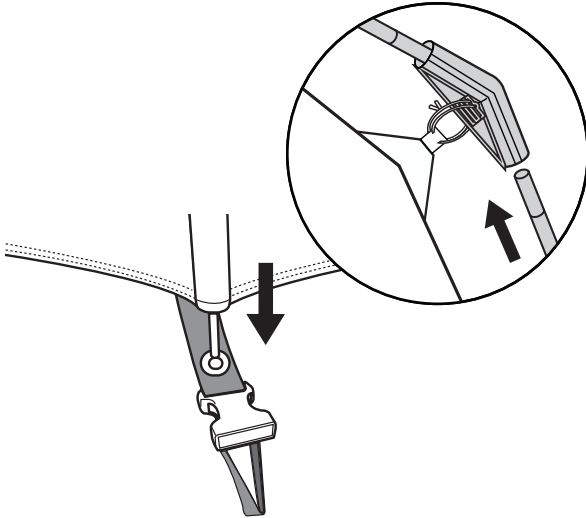
- 2 Assemble the tent poles by unfolding each section.



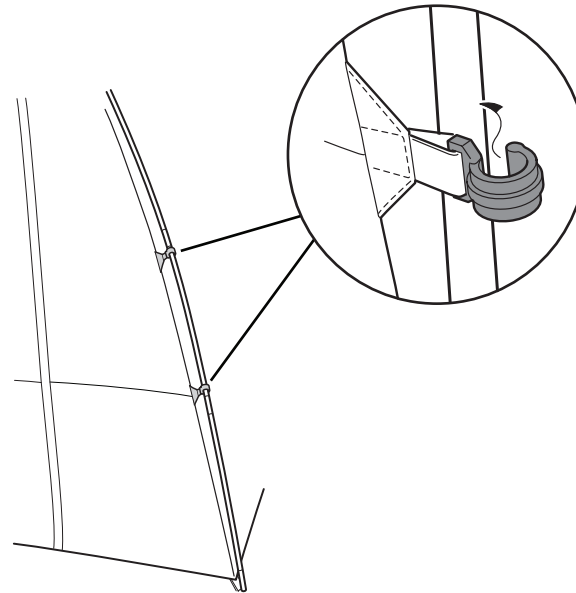
- 3 Insert a fiberglass pole into the pole sleeve on the roof of the tent. Place one end into the center hub, and the other end into the starred end of the corner joint. Repeat with the 3 other fiberglass poles.



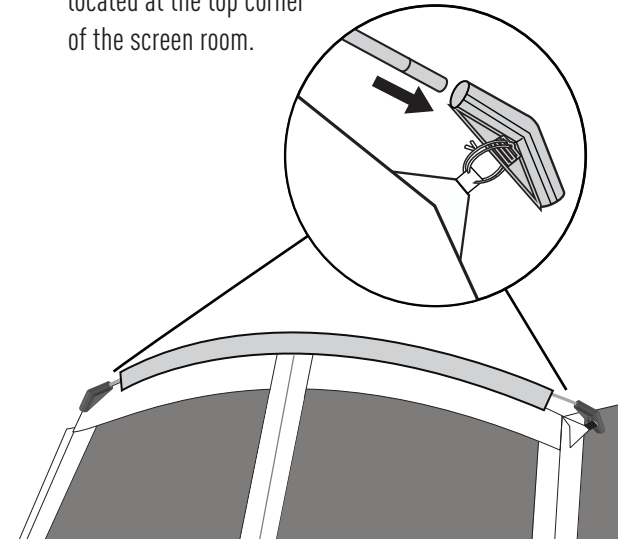
- 4** Insert one end of the steel pole into the corner joint. On the opposite end of the pole, insert the pin into the grommet hole located in the corner of the tent. Repeat for the other 3 steel poles.



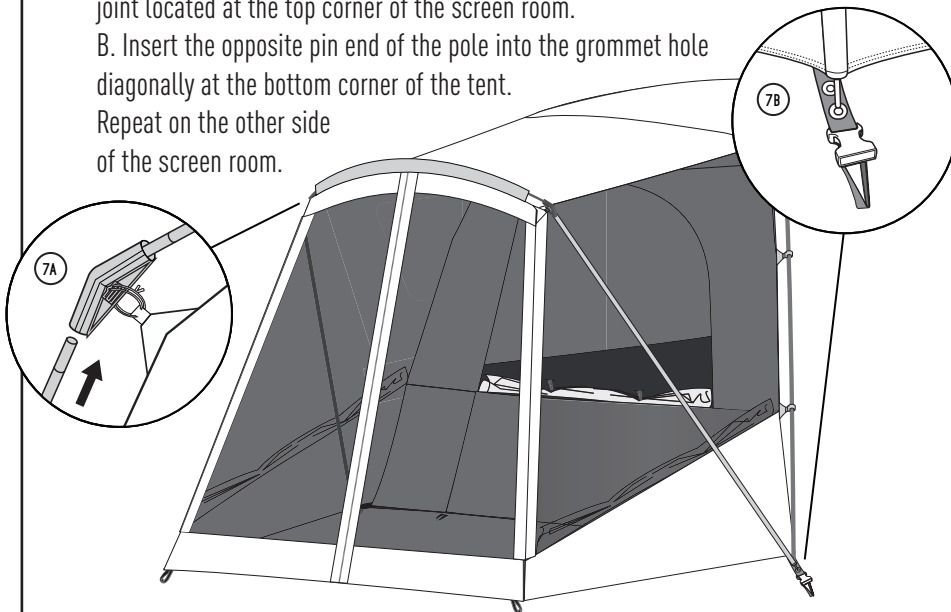
- 5** Attach the pole clips.



- 6** Slide the long fiberglass pole through the sleeve located above the screen room door. Insert either end of the pole into the starred end of the corner joint located at the top corner of the screen room.



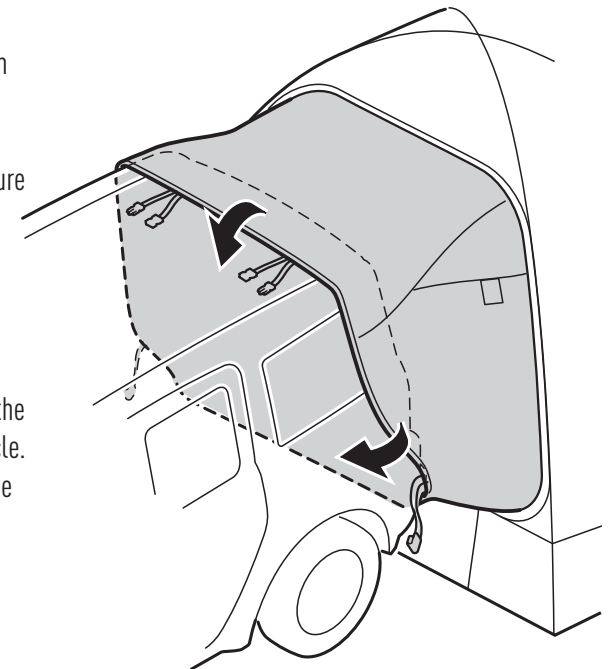
- 7** A. Insert a blue screen room pole with the metal hook into the corner joint located at the top corner of the screen room.
B. Insert the opposite pin end of the pole into the grommet hole diagonally at the bottom corner of the tent. Repeat on the other side of the screen room.



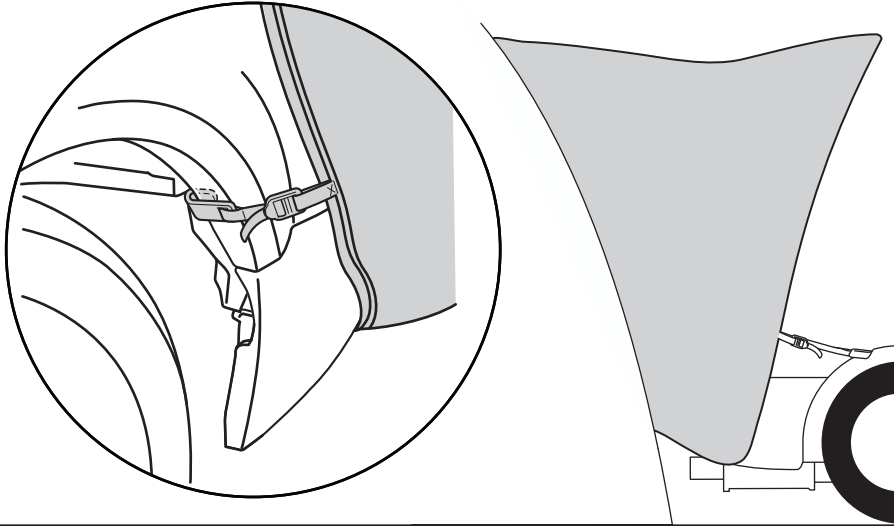
- 8** From inside the tent, unzip the door and mesh that faces the vehicle cargo area. Roll up the mesh and door and secure with T-straps.

- 9** Open the back hatch of your vehicle.

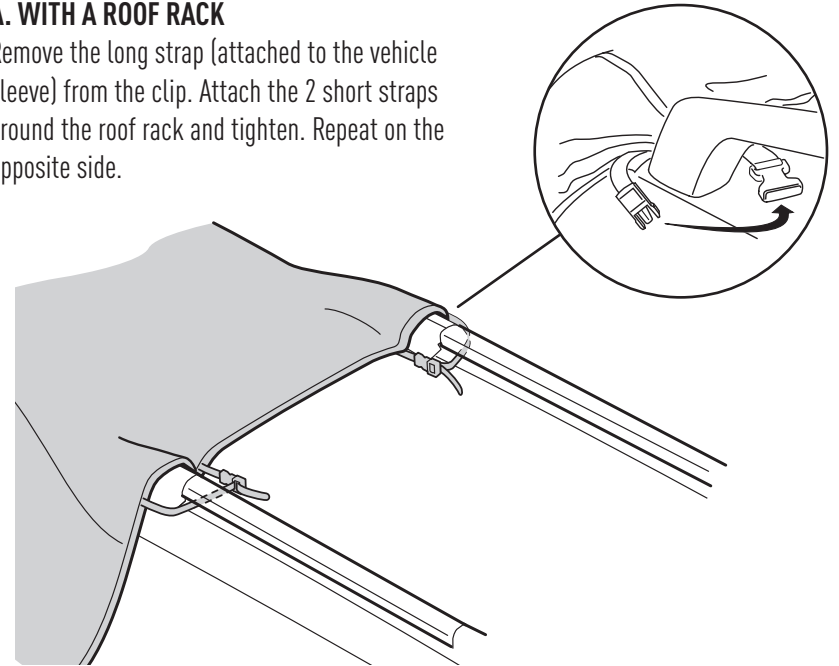
- 10** Move the tent towards the cargo area of your vehicle. Slip the sleeve under the bumper and over the hatch and roof.



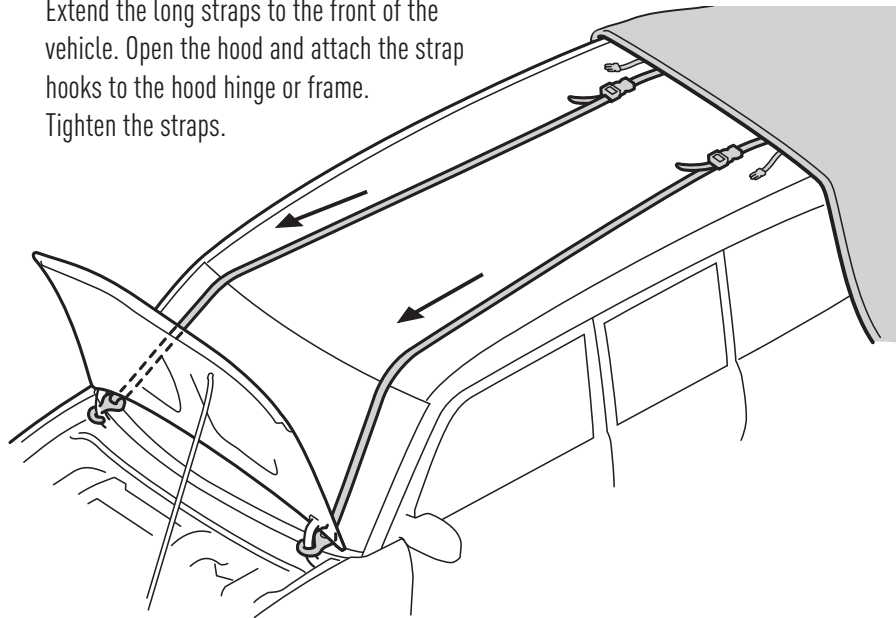
- 11** Outside of the tent, secure the tent to your vehicle:
A. Hook the bottom outside straps to any part of the wheel well and tighten (1 per side).
NOTE: Ensure the exhaust pipe is outside of the sleeve.
B. Tighten the bumper straps on either side of the vehicle sleeve.



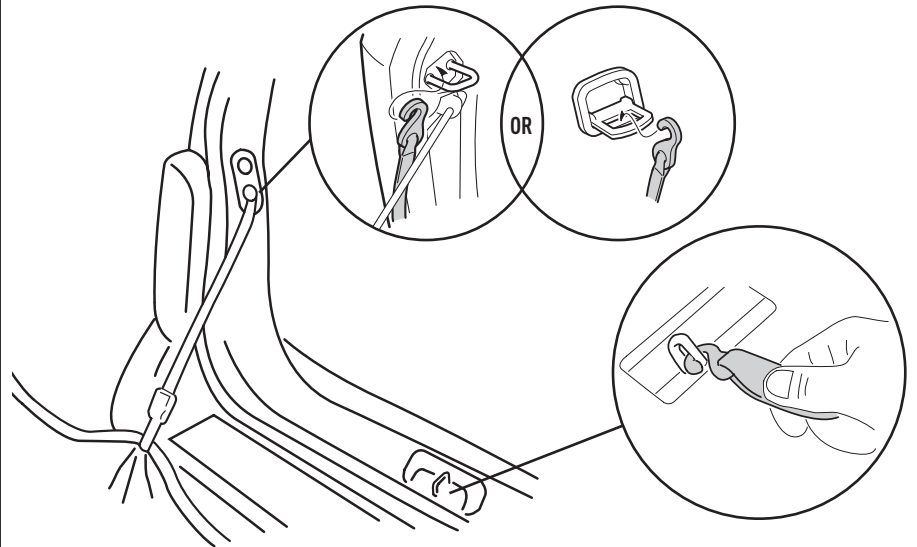
- 12 A. WITH A ROOF RACK**
Remove the long strap (attached to the vehicle sleeve) from the clip. Attach the 2 short straps around the roof rack and tighten. Repeat on the opposite side.



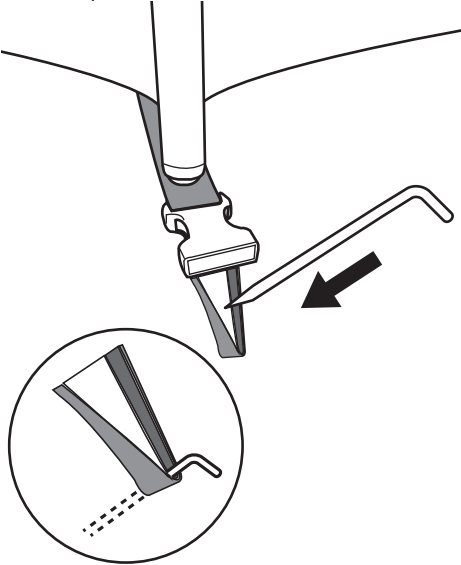
- 12 B. WITHOUT A ROOF RACK**
Extend the long straps to the front of the vehicle. Open the hood and attach the strap hooks to the hood hinge or frame. Tighten the straps.



- 13** From inside the tent, locate the center strap by the bumper and attach to the tailgate latch. Attach the 2 outer hooks to the cargo bag hook or the tailgate latch.

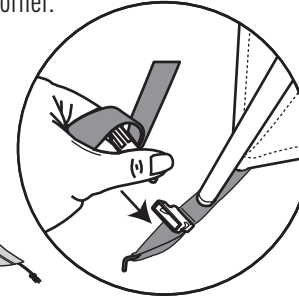


- 14** Stake down the tent and screen room through the corner and side webbing loops.

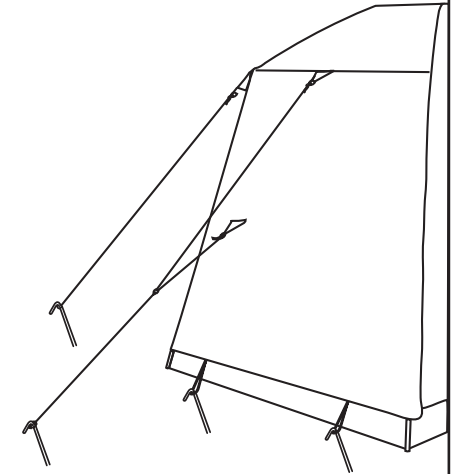


ATTACHING THE RAINFLY

- 15** Drape the rainfly over the tent. The side that says "Vehicle Side" goes towards the vehicle.
- 16** Attach the rainfly to the clips found at the bottom corners of the tent. Tighten the straps and secure the Velcro tabs around the poles.
- 17** At the top corner of the rainfly, locate the elastic strap with the plastic hook. Secure it to the steel loop on the tent pole. Repeat on the opposite corner.

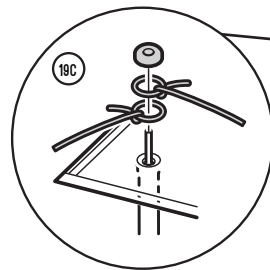


- 18** Stake the rainfly guy lines to the ground.

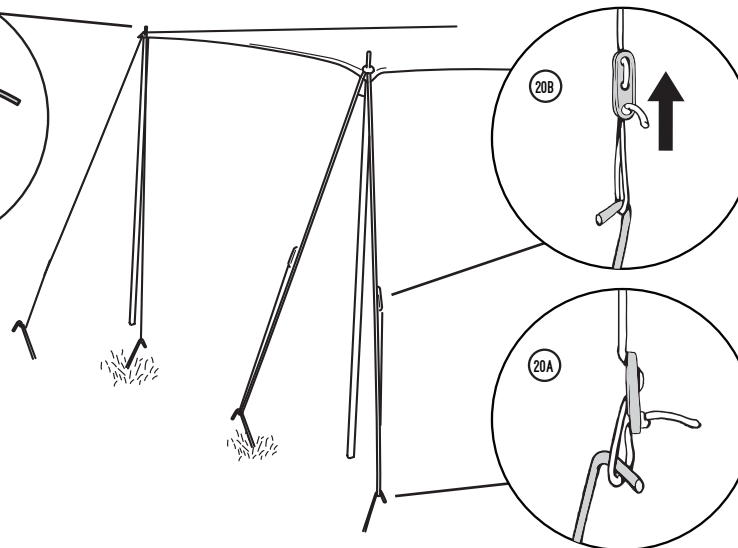


SETTING UP THE AWNING

- 19** A. Assemble the awning poles by unfolding each section.
 B. Place the end of the pole with the pin through the grommet hole at the corner of the awning.
 C. Place the ring end of the guy line over the pole pin located at the top of the awning. Place the awning cap over the pin.



- 20** A. Stake the bottom loop of the guy line (bottom portion of plastic slider) to the ground with a peg. Repeat for all awning guy lines.
 B. Adjust the length of the guy lines by pushing the plastic slider upwards until the line is tight.



- 21** To install the gear loft, place each corner hook of the gear loft into the loop located on the ceiling of the tent.

