

CAUTIONS:

- 1) Read and follow instructions carefully. Save owner's manual for future reference or parts information.
- 2) Never place more than two bicycles on Bike Bunk. Adjust for even load distribution.
- 3) This unit is designed for two, 2-wheel bicycles, weighing under 40 lbs.
- 4) Children should be supervised and assisted when hanging a bicycle.
- 5) The equipment contains fasteners to anchor to the wall for additional stability. Use anchor fasteners suitable for your wall material if children are present.
- 6) Under no circumstances is this unit to be climbed upon.
- 7) For questions, miscellaneous parts and bicycle fit information, call 608-274-6550.

WARNING AND DISCLAIMER:

Manufacturer and seller expressly disclaim any and all liability for personal injury, property damage or loss, whether direct, indirect, or incidental, resulting from the incorrect attachment, improper use, inadequate maintenance, or neglect of this product.

WARRANTY:

We warrant this product to the first consumer to be free from defect in material and workmanship for a period of one year from date of purchase. (Please retain your sales slip for your records.) Any product or part thereof found to be defective within that period will be replaced without charge provided that: (1) the product was not misused; (2) no alterations or modifications were made; (3) its failure resulted from a defect in material or workmanship and not from normal wear expected in the use of the product; (4) the product or part is delivered, freight prepaid, to Saris Products. Manufacturer's only obligation shall be to replace such products or parts proved to be defective.



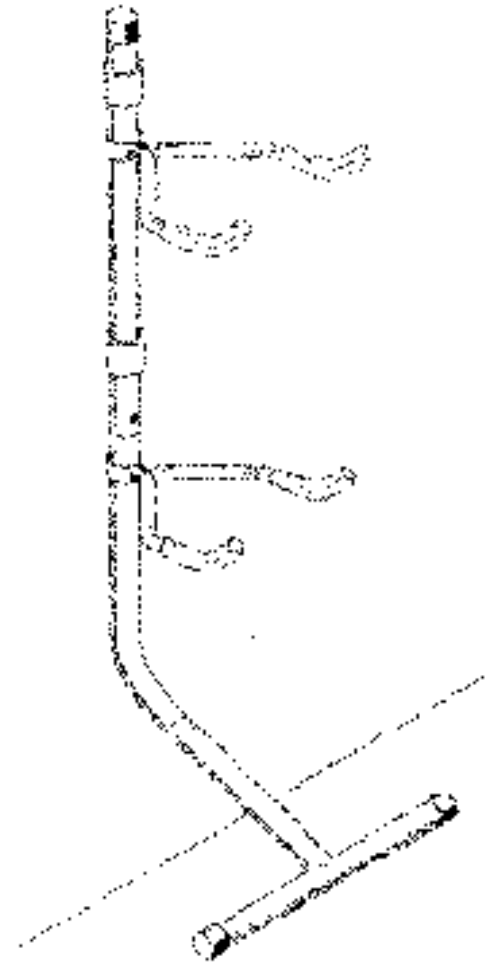
SIMPLY BUILT TO LAST. GUARANTEED.*

FINALLY – A COMPANY THAT LOVES BIKES AS MUCH AS YOU DO.

Chances are, your bikes are just like ours - your most valued possessions. And if it has the Saris name on it, nothing we build goes out the door unless it's worth putting those possessions on. Call it obsessive. Call it eccentric. We just chalk it up to caring a hell of a lot about creating the last rack you'll ever need.

THE BIKE BUNK

Model #6007



Owner's Manual

5253 Verona Road
Madison, WI 53711
(800) 783-7257
www.Saris.com

Made in U.S.A.
11288 Rev E 05/05

Please read and follow all instructions carefully.

List of Parts:

Before beginning assembly, remove all parts from box and check the parts list to ensure that you have received all parts listed below. Double check the carton for parts before discarding it.

QTY	PART
1	top tube
1	mid tube
1	cross tube
2	bike arms
3	end caps
2	wall cushions
2	2 1/4" bolts
2	1" bolts
4	1/4 - 20 hex nuts
2	4" wood screws
2	plastic wall molleys
4	washers

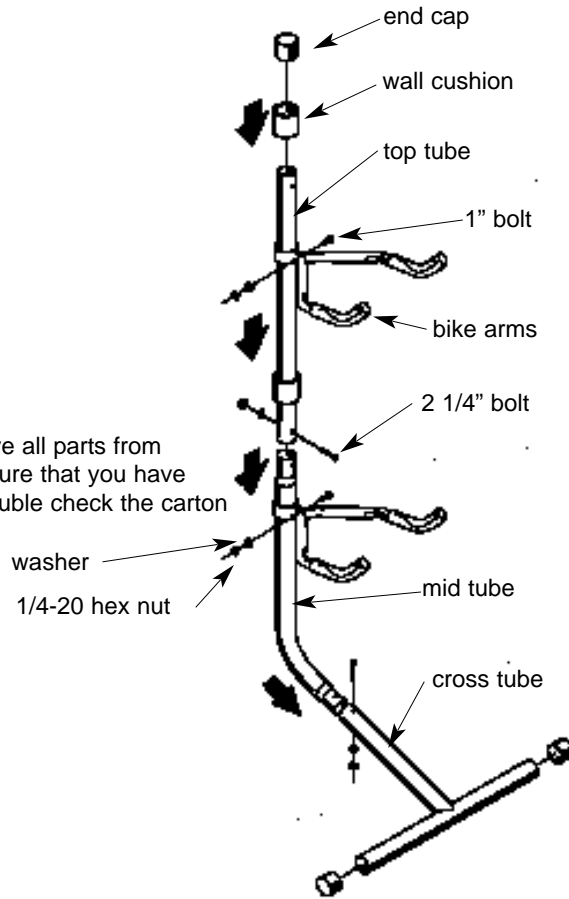


Figure 1

Note: If the mounting surface is metal, you must pre-drill holes for the screws. Use a 1/8" steel drill bit. If the surface is brick, tile, stone or concrete, it will be necessary to use a carbide drill and suitable anchors, plugs or screws. Plaster and wallboard need pre-drilled holes for anchors or plugs. Follow manufacturer's recommendations for these types of fasteners.

1 RACK ASSEMBLY: (fig. 1)

1. Push end caps onto ends of cross tube.
2. Attach mid tube to cross tube; put 2 1/4" bolt through hole and attach washer and nut to opposite side. Tighten.
3. Slide one arm onto mid tube; put 1" bolt through hole in arm and attach washer and nut to opposite side. Do not tighten.
4. Slide one wall cushion, one arm, and another wall cushion onto top tube; put 1" bolt through hole in arm and attach to opposite side with washer and nut. Do not tighten.
5. Slide top tube onto mid tube; put 2 1/4" bolt through hole and attach washer and nut to opposite side. Tighten.
6. Lean Bike Lean 2 against chosen wall. Slide arms to desired height and tighten nuts.
7. Place end cap onto top of top tube.

2 BIKE BUNK ATTACHMENT OPTIONS:

Note: The Bike Bunk functions by gravity; it can function in the following ways:

- simply leaning against a wall
- attached to a wall
- attached back-to-back to another Bike Lean 2

ATTACHING TO WALL (fig. 2):

- Follow first four steps in assembly instructions listed in fig. 1.
- Lean Bike Bunk against wall where it will be mounted.
- Make sure there is enough room for your bikes.
- Fasten Bike Bunk to wall using wood screws provided or suggested appropriate fasteners/anchors.

ATTACHING 2 BIKE BUNK 2'S BACK-TO-BACK (fig. 3):

- Note: Requires two 4 1/2" long 1/4-20 bolts — not included.
- Follow first four steps in assembly instructions listed in fig. 1 for both units.
 - Put the 4 1/2" bolt through one tube where top and mid tubes meet.
 - Hold units together and push bolt all the way through both.
 - Place washer and nut onto bolt but do not tighten.
 - Push a bolt through top holes. Put washer and nut on bolt but do not tighten.
 - Adjust arms to desired height.
 - Tighten all bolts.

3 LOADING BICYCLES:

- Note: Bolts may be loosened to adjust bike arms up or down on tubing.
- Position lower bike arm so that bike is off the floor; Tighten bolt on the arm.
- Position upper bike arm so that bike is clear of lower bike; Tighten bolt on arm.
- To load two bicycles:
 - Mount bikes in opposite directions.
 - Use the crossbar or the crossbar and seat tube to hang bikes.
 - Center the weight of the bikes as much as possible.

Figure 2

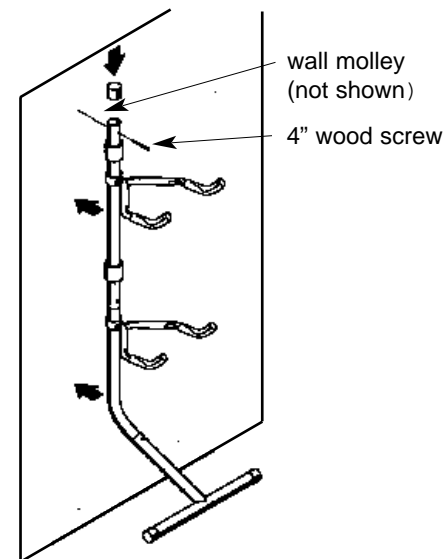


Figure 3

