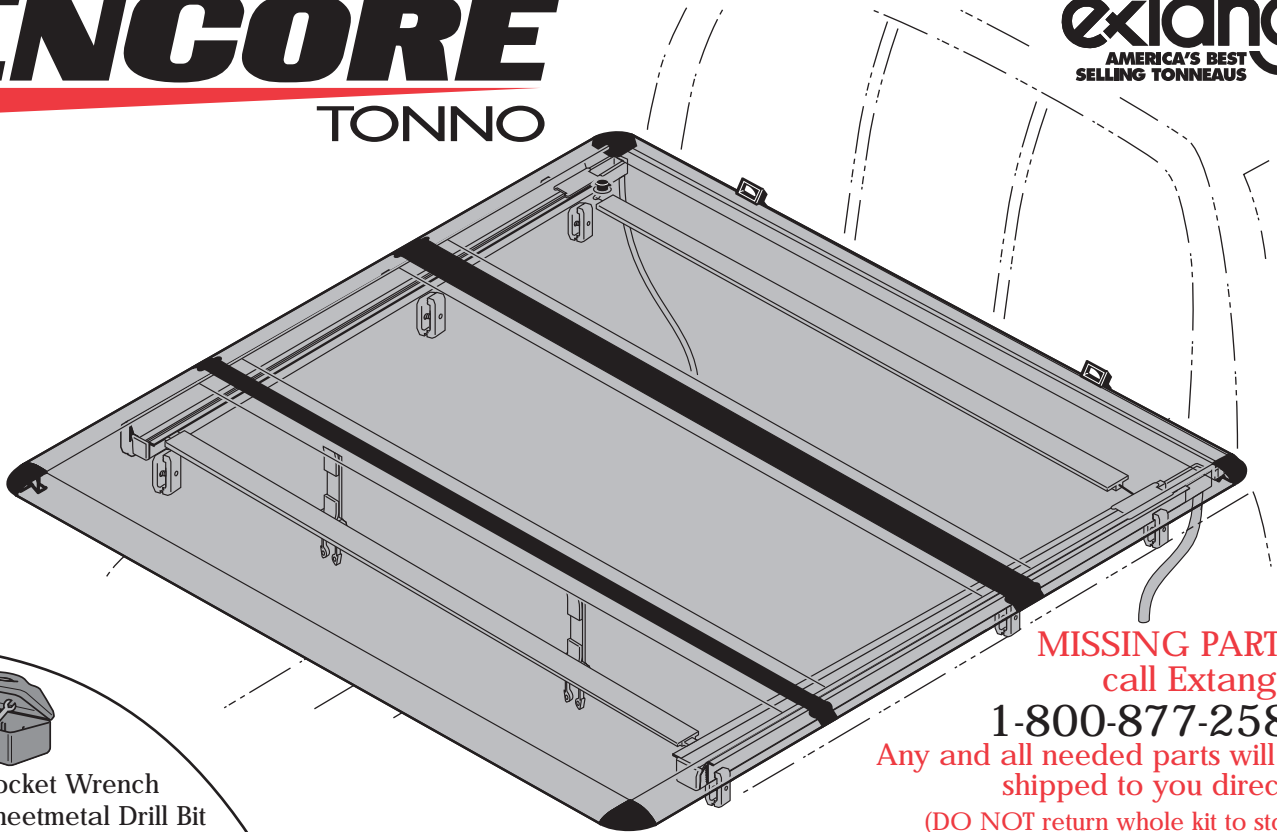


INSTALLATION SHEET

ENCORE TONNO

extang
AMERICA'S BEST
SELLING TONNEAUS



- 1/2" Socket Wrench
- 3/4" Sheetmetal Drill Bit

MISSING PARTS?
call Extang at
1-800-877-2588
Any and all needed parts will be
shipped to you directly.
(DO NOT return whole kit to store)

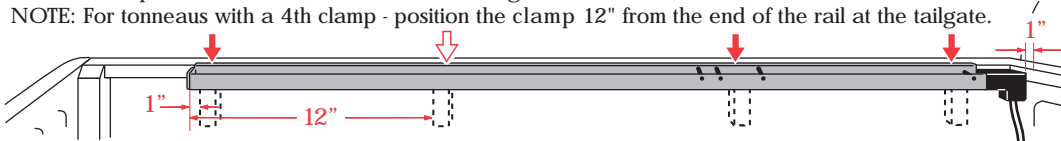
- 1** Place the underbody rails along the top edge of each side wall. Rail should be one inch back from the cab rail sheetmetal edge and equally spaced with the opposite rail. (Note: if truck has a bedliner, the distance will be smaller.) Rails **MUST BE LEVEL AND PARALLEL** to bedwall or liner to ensure smooth operation and latch engagement.



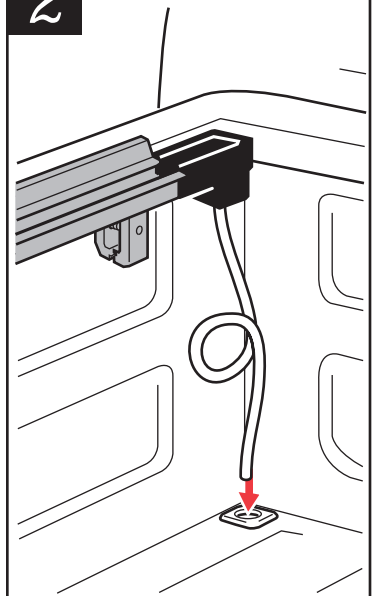
Move the clamps up or down vertically on rail to achieve level position.

Place front clamp behind the front latch pin. Position the second clamp between the second and third pins. Place the rear clamp 1" from the end of the rail at the tailgate.

NOTE: For tonneaus with a 4th clamp - position the clamp 12" from the end of the rail at the tailgate.

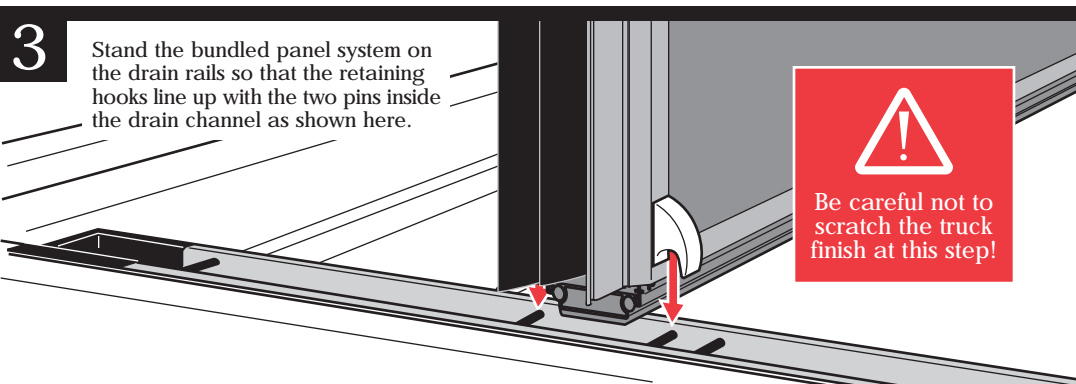


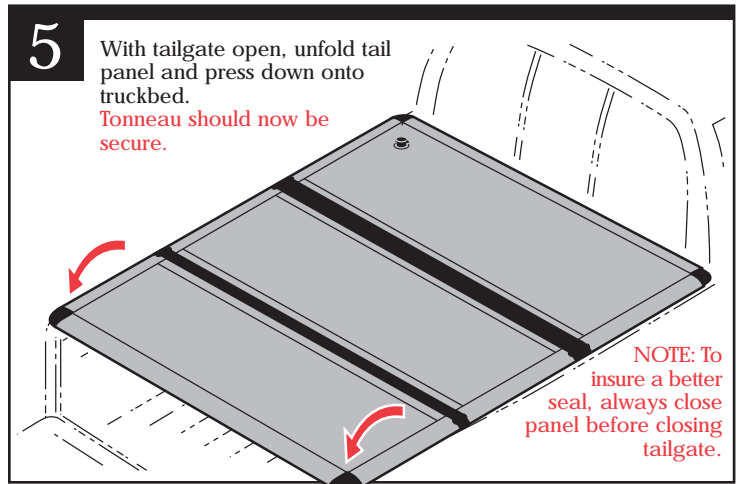
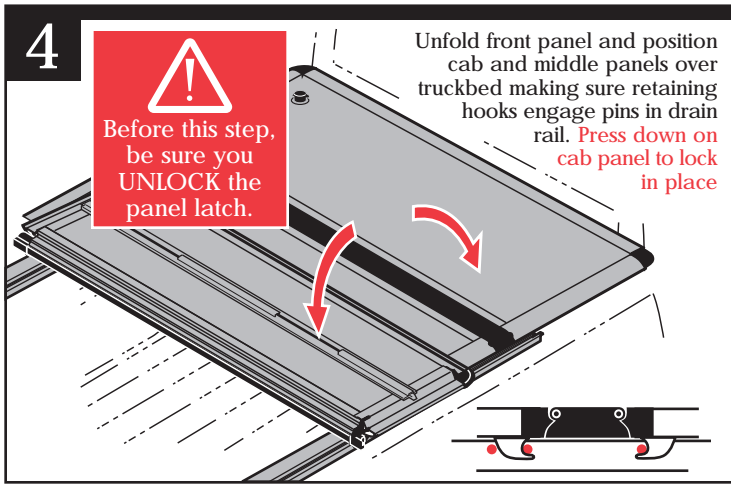
2



Drill a 3/4" hole through the truckbed knockout plug, truckbed or bedliner. Insert the drain hose through that hole.

- 3** Stand the bundled panel system on the drain rails so that the retaining hooks line up with the two pins inside the drain channel as shown here.

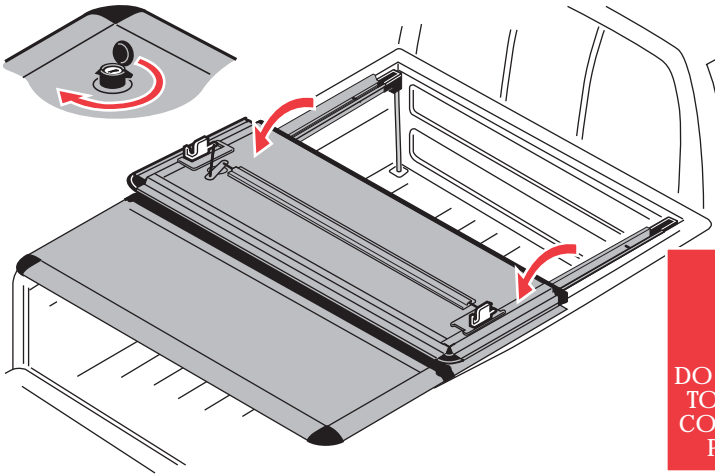




To Open the Cab Panel

To access the storage at the front of your truckbed, turn the locking knob on the driver side of the cab panel clockwise while lifting the front panel. Be careful not to drop cab panel on center panel, it may mar panel surface. Always make sure the key is removed and the lock cylinder cover is closed when folding cover.

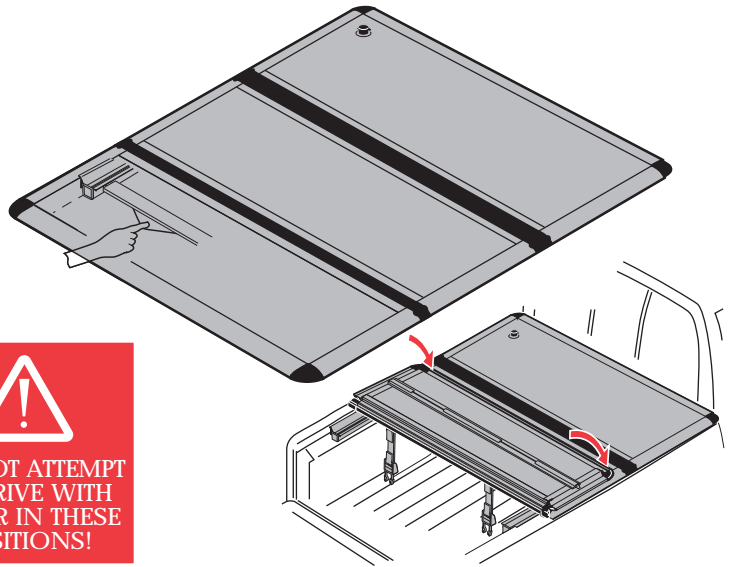
To unlock the knob, lift the lock cover and insert key.



To Open the Tail Panel

To raise the tailgate panel, open the tailgate and reach in to the cable inside the panel housing.

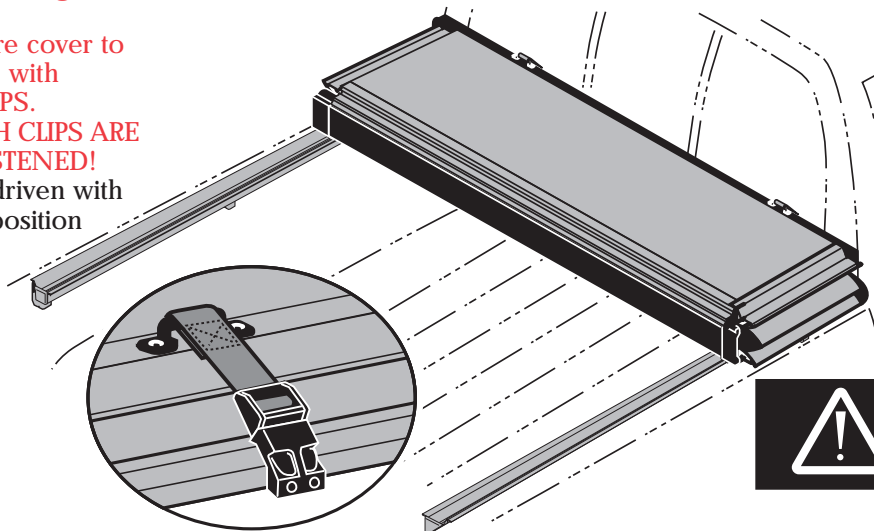
Pull down on the cable to release both rear latches.



Remove any snow or foreign matter before folding cover.

IMPORTANT NOTICE
While driving, cover must be completely flat and secure with all four latches in the closed position or completely folded up (all panels) and secured at the cab. **DO NOT DRIVE** with cover in partially opened position.

Secure the EnCore cover to front of cab with **BOTH CLIPS**.
CHECK THAT BOTH CLIPS ARE SECURELY FASTENED!
Vehicle may be driven with cover in this position



Do NOT tow your vehicle from the rear with this cover on your truck.

