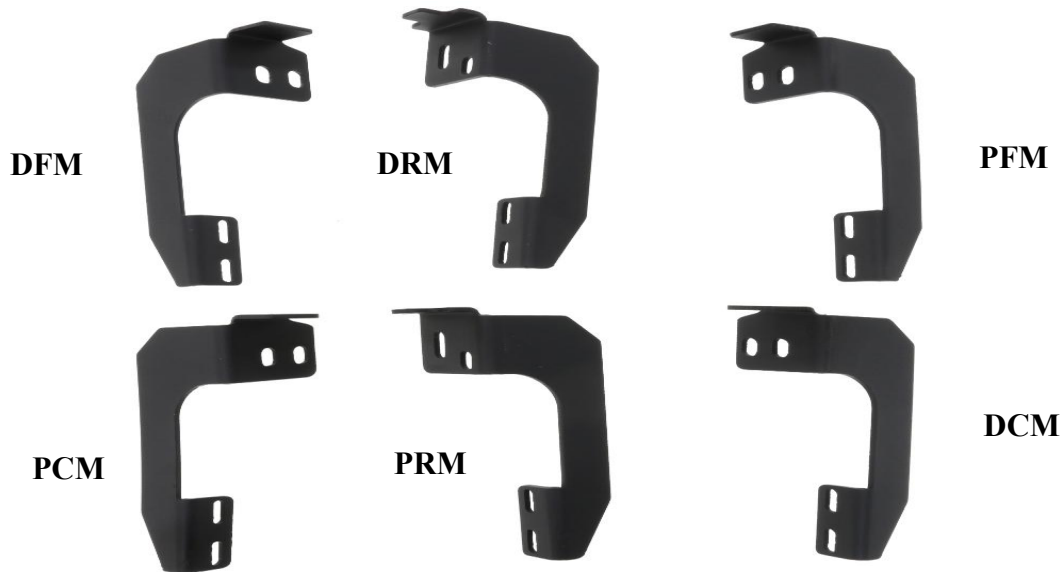


PARTS LIST:

Item	QTY	Description	Item	QTY	Description
#01	1	Driver/Left Sidebar	#08	1	Passenger Rear Mounting Bracket (PRM)
#02	1	Passenger/Right Sidebar	#09	12	M8-1.25mm x 30mm Hex Bolt
#03	1	Driver Front Mounting Bracket (DFM)	#10	12	M8 Flat Washer
#04	1	Passenger Front Mounting Bracket (PFM)	#11	12	M8 Lock Washer
#05	1	Driver center Mounting Bracket (DCM)	#12	12	M6 Square Hex Bolt
#06	1	Passenger center Mounting Bracket (PCM)	#13	12	M6 Flat Washers
#07	1	Drive Rear Mounting Bracket (DRM)	#14	12	M6 Nylon Lock Nuts



INSTALLATION INSTRUCTION:

REMOVE CONTENTS FROM BOX. VERIFY ALL PARTS ARE PRESENT. READ INSTRUCTIONS CAREFULLY BEFORE STARTING INSTALLATION. DRILLING REQUIRED.

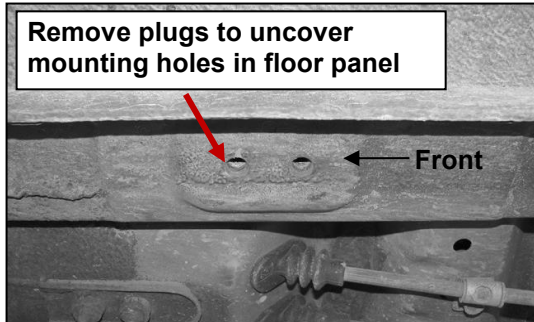
- Starting on the driver side front of the vehicle, locate the (2) factory threaded holes in the bottom of the outer frame channel, **(Figure 1)**. **NOTE:** The threaded holes may be filled with plastic plugs or covered in insulation. Remove plugs or insulation before proceeding. Repeat this step to locate the center and rear, **(Figure 2)**, mounting locations. **NOTE:** There may be (4) sets of threaded holes along the floor panel. This installation will use the first, third and fourth sets of holes only.
- Position the driver side Front Mounting Brackets up to vehicle. Hang the Bracket from the two threaded holes using the provided (2) M8 x 30mm Hex Bolts, (2) 8mm Flat Washers and (2) 8mm Lock Washers, **(Figure 3)**. Snug but do not tighten hardware at this time.
- Repeat Steps 2 - 3 to install the Center and Rear Mounting Brackets, **(Figures 4 & 5)**.
- Insert square head bolts as shown.(3 per slot,6 per board),SEE **Figure 6**.
- Carefully position the driver Sidebar onto the Mounting Brackets and attach it using the included (2)M6 Square Hex Bolt, (2) M6 Flat Washers and (2) M6 Nylon Lock Nuts, **(Figures 7)**. Snug but do not tighten hardware at this time.
- Align Sidebar properly and tighten all hardware.
- Repeat Steps 2 - 7 for the passenger Sidebar installation.
- Do periodic inspections to the installation to make sure that all hardware is secure and tight.

To protect your investment, wax this product after installing. Regular waxing is recommended to add a protective layer over the finish. Do not use any type of polish or wax that may contain abrasives that could damage the finish.

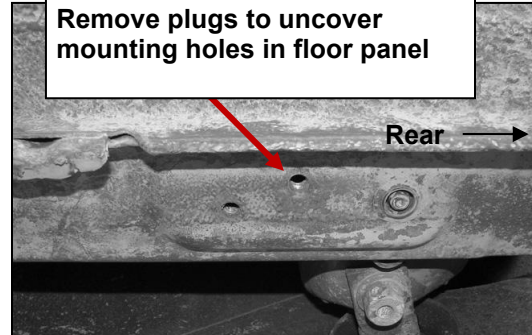
For Polished Finishes: Aluminum polish may be used to polish small scratches and scuffs on the finish. Mild soap may be used also to clean the Running Board.

For black finishes: Mild soap may be used to clean the Running Board.

Driver Side Installation Pictured

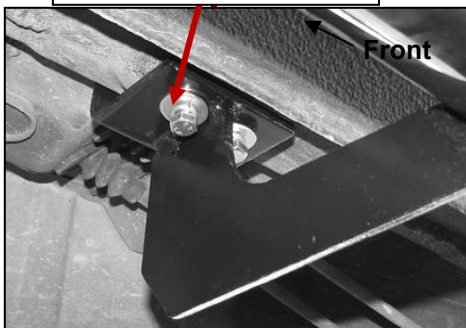


(Fig 1) Driver Side Front Mounting Location



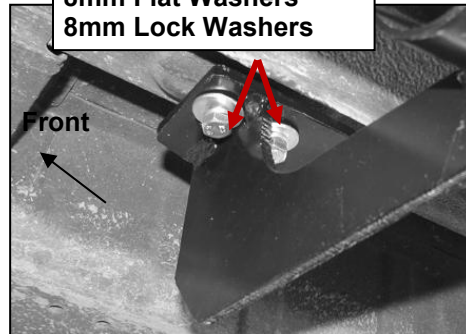
(Fig 2) Driver Side Rear Mounting Location

8mm x 30mm Hex Bolts
8mm Flat Washers
8mm Lock Washers



(Fig 3) Driver Side Front Mounting Bracket

8mm x 30mm Hex Bolts
8mm Flat Washers
8mm Lock Washers



(Fig 4) Driver Side Center Mounting Bracket

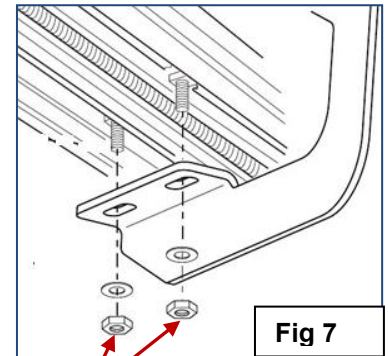
8mm x 30mm Hex Bolts
8mm Flat Washers
8mm Lock Washers



(Fig 5) Driver Side Rear Mounting Bracket



Fig 6 Slip M6 Square Head Bolts into channel



M6 Lock Nut
M6 Flat Washer